



# Safer by design.

The JCB Teletruk Construction Range.



# Unrivalled visibility.

JCB Construction Master Teletruk - The world's only telescopic counter balance forklift has been tailored to meet the demands of the builders merchants and construction sectors. The Teletruk's unique side mounted boom design provides unrivalled forward visibility.





## Single side loading.

The Teletruk's unique telescopic forward reach allows you to load and unload trucks from one side against the perimeter fence. This means a saving of 32m<sup>2</sup> of space, the equivalent of 72 packs of bricks or blocks. This also improves on-site safety as less forklift movements are required and removes the need to push/pull items across the lorry bed.

## 4WD Option.

Four wheel drive delivers four tonnes of tractive effort that supports bucket work, travelling over rough ground and up 21% gradients.



## Hydrostatic transmission.

All Teletruk in the range benefit from the closed loop hydrostatic drive, delivering precisely the right amount of power to individual wheel motors without the need for a differential or gear-box. The 2wd construction range includes traction control to support work on poor ground conditions.





Forward tilt ability to compact light skip waste.



More back tilt than standard forklift.

## One hundred and eleven degrees of carriage rotation.

As well as enabling bucket work this unique benefit makes handling goods much easier and safer. The Teletruk can also easily recover tipped or fallen loads, removing the requirement for manual handling.



## Bagging bucket.

With the JCB Bagezee attachment it removes the need for a hopper, loading shovel and standard forklift to bag materials. All the work is able to be completed by the JCB Teletruk – One machine, One person, One bag in One minute.

4

DEPOSIT BAG

3

FILL BAG FROM CAB

FILL BUCKET

1

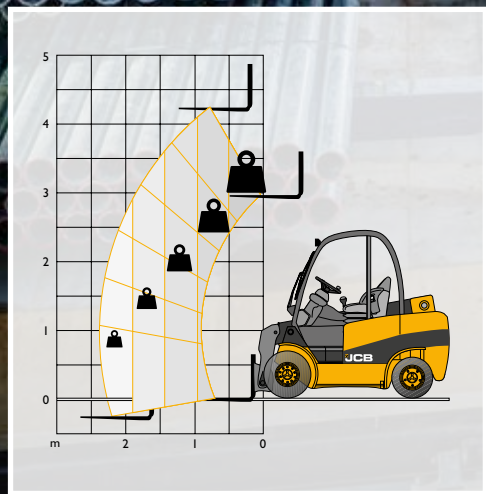
2

ATTACH BAG



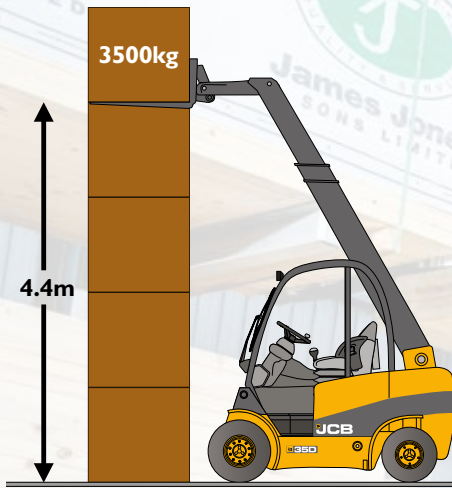
## Forward reach.

The Teletruk's unique telescopic forward reach allows you to reach over materials. With the same size footprint as a standard forklift, the Teletruk can also lift more weight than a standard forklift with long reach forks. All lifts are protected by JCB's load motion control system aiding the prevention of forward tip.

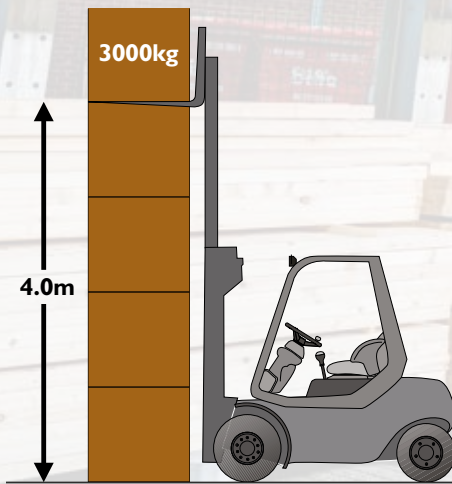




## JCB TLT35D



## 35D STANDARD FORKLIFT



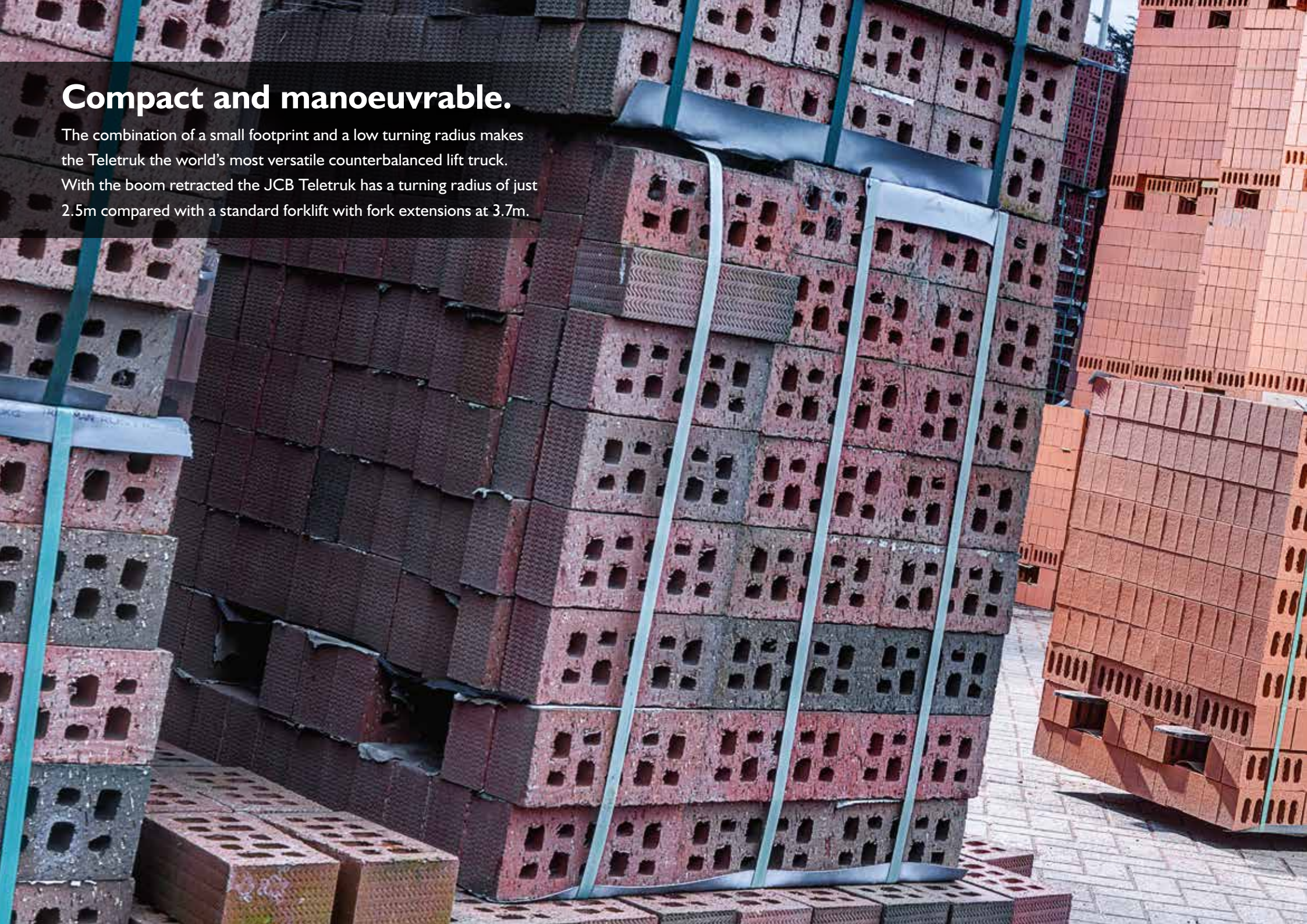
# Full capacity to full lift height.

All the JCB Teletruk models in the construction range lift full rated capacity to full lift height due to the unique rear mounted telescopic boom.



## Compact and manoeuvrable.

The combination of a small footprint and a low turning radius makes the Teletruk the world's most versatile counterbalanced lift truck. With the boom retracted the JCB Teletruk has a turning radius of just 2.5m compared with a standard forklift with fork extensions at 3.7m.





**JCB**

eco

CONSTRUCTION  
MASTER

BMF

**JCB**

35D

# Van loading.

Save time loading and unloading with the JCB Teletruk. Pick and place materials from or into delivery vans using the telescopic boom, reduces material and vehicle damage and eliminates the need for manual handling.



# Reduce double handling.

The JCB Teletruk's unique boom enables the operator to reach into the 2nd or 3rd row of materials improving efficiency and safety with up to 66% less forklift movements and significantly reducing stock damage.





1. Select desired attachment from inside the cab.



## Changeeze.

Ability to change between forks and bucket within 30 seconds with the hydraulic quickhitch system.



2. Connect attachment by engaging top hook from cab.



3. Secure attachment hydraulically from inside the cab.

## Full free lift.

On all Teletruk models full free lift comes as standard due the unique telescopic boom. A standard forklift truck would require an expensive full free lift mast to operate in low height buildings or shipping containers.



# Growing your business.

The Teletruk offers typical savings of up to 30% on operating cost versus traditional methods of loading and bagging. This is a result of time, space and fuel savings with single side loading. In many cases customers have also been able to increase stock holding by 20% supporting profitable growth.







## Safer by a long stretch.

With its unique telescopic reach, the JCB Teletruk eliminates the need for long fork extensions enhancing your on-site safety policies. It enables you to segregating traffic and pedestrians from loading area.





Van loading

Full capacity to full lift height

Ability to introduce a one-way traffic system

Single side loading

Eliminate double handling

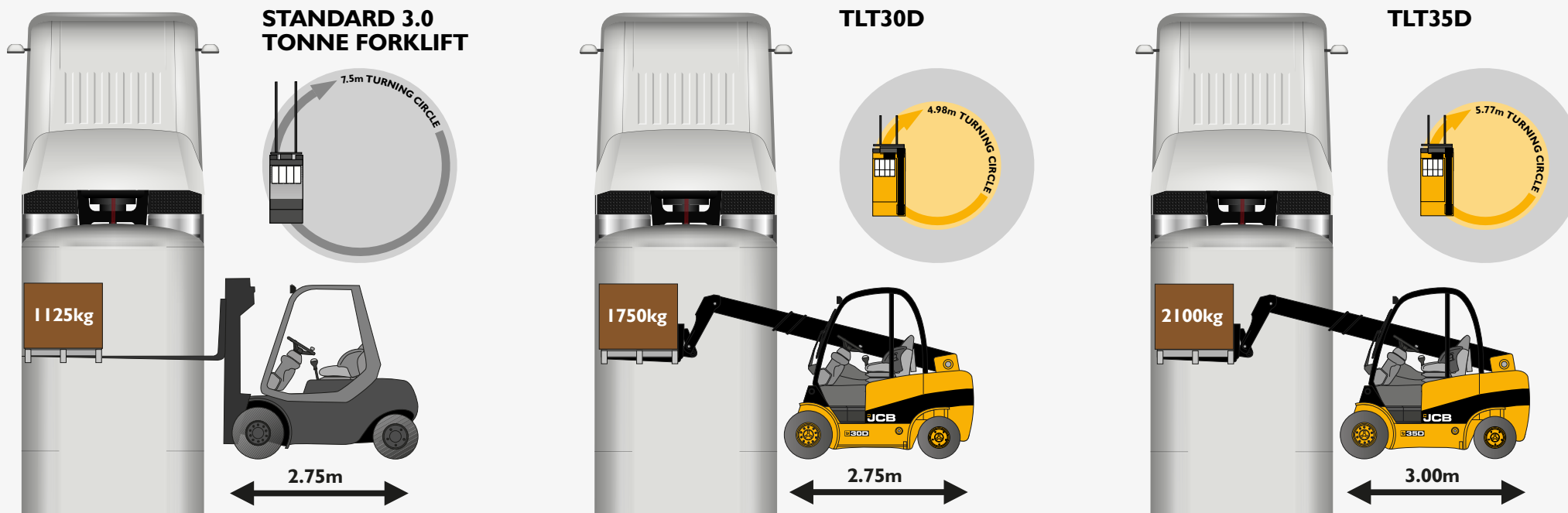
Operate within confined spaces

# Redefining productivity.

Health and safety, productivity and stock can all be increased by using the Teletruk. Save space by single side loading against a perimeter fence, load vehicles quicker with less movements and eliminating double handling of materials. In this customer site the space created a one way system and increased stock held in yard.



## JCB TELETRUK VS STANDARD 3.0 TONNE FORKLIFT



JCB TELETRUK SPECIFICATIONS		TLT30D CONSTRUCTION	TLT35D CONSTRUCTION	TLT30D 4x4 CONSTRUCTION	TLT35D 4x4 CONSTRUCTION
Maximum lift capacity	kg	3000	3500	3000	3500
Capacity @ 2m forwards reach	kg	1750	2100	2000	2400
Maximum lift height	mm	4000	4400	4000	4350
Maximum forward reach	mm	2390	2430	2390	2450
Turning radius	mm	2490	2885	2995	3500
Aisle width 90 degree stacking	mm	4005	4480	4510	5060
Overall height std/low (container ready*)	mm	2205*/2105*	2205*/2105*	2300/2200*	2300/2200*
Overall width	mm	1280	1280	1400	1400
Unladen weight	kg	4900	5100	5100	5500
Carriage rotation	degrees	111	111	111	111
Auxiliary flow rates (low/high)	l/min	28/70	28/70	28/70	28/70
Negative lift	mm	350	350	350	350



Your nearest JCB dealer



[www.jcb.com](http://www.jcb.com)